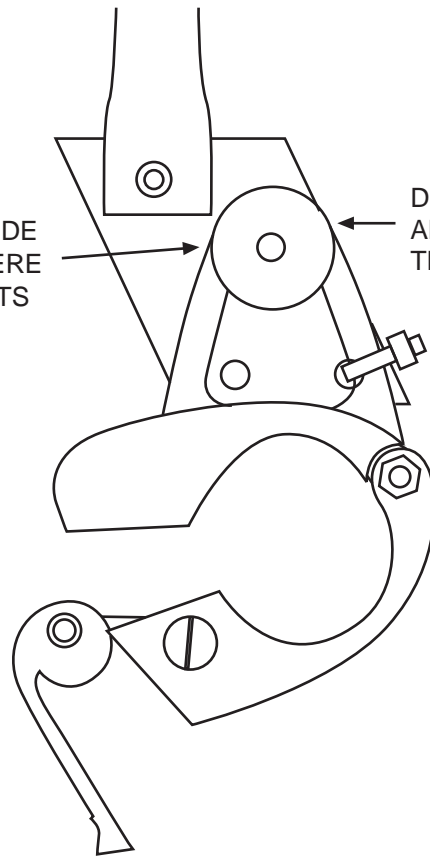


I SHAVED THE INSIDE
OF THE MOUNT HERE
SO THE MOUNT SITS
FLUSH WITH THE
METAL



DRILL HOLE IN MAP HOLDER HERE
AND USE THE BOLT SUPPLIED WITH
THE MOUNT

CABLE TIE

REPLACE THIS HINGE
FITTING WITH A 3MM BOLT